



Model: JLV-12005PA Size: 52*26*21mm



Brief Information

5W

Waterproof Power Supply (C.V.)

Model JLV-12005PA / JLV-24005PA

Input 100~250V AC

Output 12V DC 0.417A 5W / 24V DC 0.208A 5W

Product Features

- Compact size, easy for installation
- High transfer efficiency
- Wide input range (100~250VAC)
- Stable constant voltage output
- IP67, both indoor & outdoor use suitable
- 100% full loading, 100% burn-in tested
- Overload/short circuit protection

MAIN ELECTRICAL DATA

AC Input

Input Voltage	100~250V
Input Frequency	50/60Hz
Efficiency (Typ.)	70%
Input Current	120V: 0.10A max. 230V: 0.04A max.
Inrush Current	40A
Leakage Current	5mA/230VAC

DC Output

Output Voltage	12V	24V
Rated Current	0.417A	0.208A
Rated Power	5W	5W
Ripple & Noise (Max.)	<100mVp-p	<100mVp-p
Setup, Rise Time	1500ms/230VAC	1500ms/230VAC
Line Regulation	1%	1%
Load Regulation	1%	1%

Service Environment

Working Temp.	-30°C~50°C
Working Humidity	15~95%RH
Storage Temp.	-40°C~80°C
Storage Humidity	15~95%RH

Protection

Overload	Yes, active when loading over 10~20% Output Voltage drops if overloaded
Short Circuit	Yes, hiccup mode, recovers automatically after fault condition is removed

Safety

Safety Standard	EN 61347-2-13
Withstand Voltage	I/P-O/P: 3750VAC/1min/<5mA
Isolation Resistance	I/P-O/P: >100M Ohms / 500VDC /25°C / 70%RH

Packaging Information

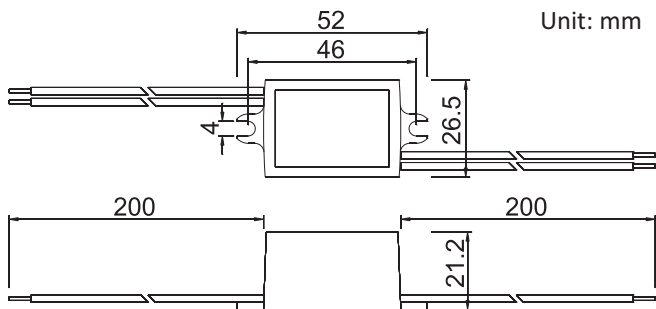
Product Dimension	52*26*21mm
Products Net Weight	40G
PCS/Carton(QTY)	200 PCS
Master Carton Size	38*25*15cm
G. Weight/ Carton	11KG

Installation Tips:

- Please identify the power supply's input and output before installation.
- Ensure correct output + & - wire connection.
Power on after wire connection is done.
- To avoid voltage drop and loading capacity wasting on the output extension wire, please install the power supply to the loading as near as possible, if must use long extension wires, thicker wires and less loading wattage is required.
- The power supply to be installed at good ventilation and cooling environment.

The power behind your lights

Physical Drawing



Brief Information

5W

Waterproof Power Supply (C.V.)

Model JLV-12005PA / JLV-24005PA

Input 100~250V AC

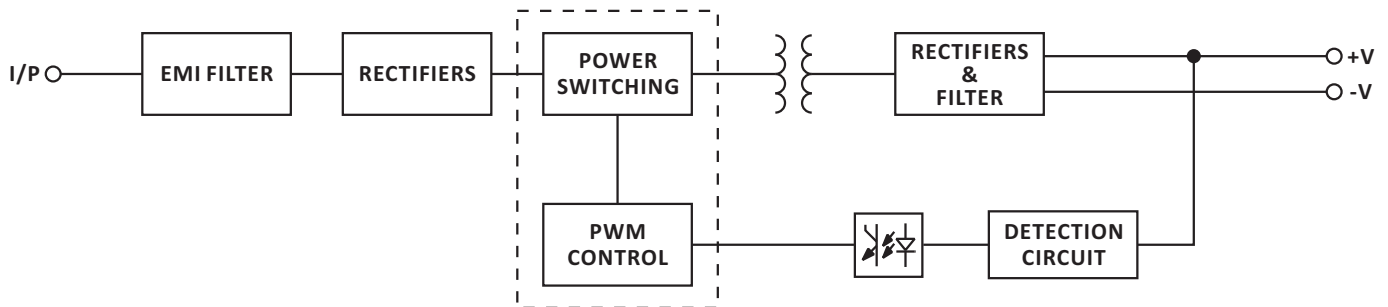
Output 12V DC 0.417A 5W / 24V DC 0.208A 5W

Input: 2x0.5mm² wire, Brown L, Blue N
200mm length

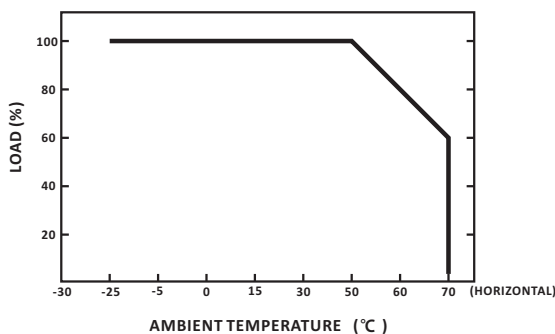
Output: 2x0.5mm² wire, Red +, Black -
200mm length

Housing: Plastic

Block Diagram



Derating Curve



Static Characteristics

