

The power behind your lights



Model: JLV-12018KP Dimensions: 176*18*18mm
 JLV-24018KP



Brief Information

18W

Ultra-Slim Power Supply (C.V.)

Model JLV-12018KP / JLV-24018KP

Input 170-250V AC

Output 12VDC 1.5A 18W / 24VDC 0.75A 18W

Product Features

- Compact size, easy for installation
- High transfer efficiency
- Stable constant voltage output
- Ultra-slim profile
- 100% burn-in tested
- Overload/short circuit protection

MAIN ELECTRICAL DATA

AC Input

Input Voltage	170-250V
Input Frequency	50/60Hz
Efficiency (Typ.)	84%
Input Current	230V: 0. 23A _{max.}
Inrush Current	40A
Leakage Current	3mA/230VAC

DC Output

Output Voltage	12V	24V
Rated Current	1.5A	0.75A
Rated Power	18W	18W
Ripple & Noise (Max.)	<200mVp-p	<200mVp-p
Setup, Rise Time	1500ms/230VAC	1500ms/230VAC
Line Regulation	2%	2%
Load Regulation	1%	1%

Service Environment

Working Temp.	-30°C~50°C
Working Humidity	20~95%RH
Storage Temp.	-40°C~80°C
Storage Humidity	10~95%RH

Packaging Information

Product Dimension	176*18*18mm
Products Net Weight	43G
PCS/Carton(QTY)	100 PCS
G. Weight/ Carton	5.5KG

Protection

Overload	Yes, active when loading is over 110~120% cut-off if overloaded
Short Circuit	Yes, cut-off, recovers after fault condition is removed

Safety

Safety Standard	EN 61347-2-13
Withstand Voltage	I/P-O/P: 3000VAC/1min/<5mA
Isolation Resistance	I/P-O/P: >100M Ohms / 500VDC /25°C / 70%RH

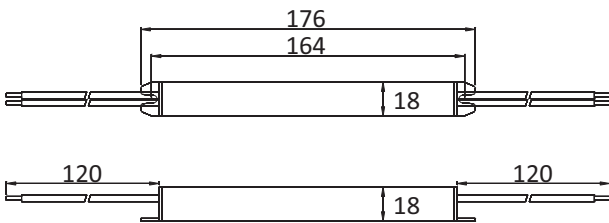
Installation Tips:

- Please identify the power supply's input and output before installation.
- Ensure correct output + & - wire connection. Power on after wire connection is done.
- To avoid voltage drop and loading capacity wasting on the output extension wire, please install the power supply to the loading as near as possible, if must use long extension wires, thicker wires and less loading wattage is required.
- The power supply to be installed at good ventilation and cooling environment.

The power behind your lights

Physical Drawing

Unit: mm



Brief Information

18W

Ultra-Slim Power Supply (C.V.)

Model JLV-12018KP / JLV-24018KP

Input 170-250V AC

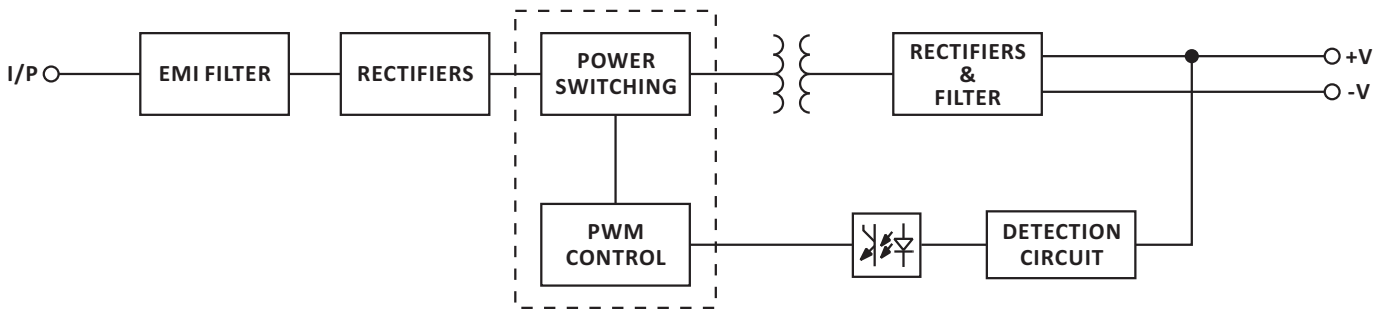
Output 12VDC 1.5A 18W / 24VDC 0.75A 18W

Housing: Aluminum

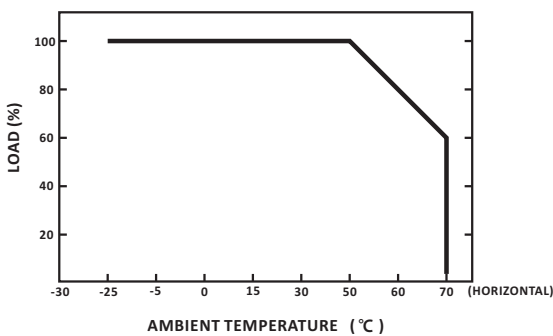
Input and Output wire length: 120mm

Output: Red +, Black -

Block Diagram



Derating Curve



Static Characteristics

